

Jobber Jr

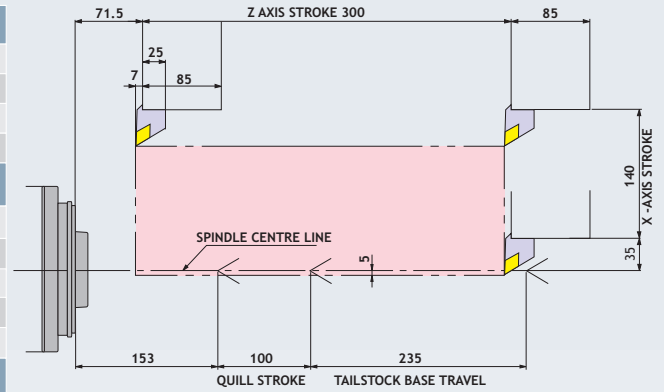


Ace Jobber Jr is a precision, cost effective CNC Turning Machine ideal for job shops and ancillaries. Unlike retrofit CNC machines, the Jobber Jr is a full-fledged CNC machine designed and built to take advantage of CNC features like high rapid rates, cutting parameters, constant surface speed, etc. The machine elements like ball screws, bearings, CNC systems and drives have been chosen appropriately. The machine is put together by a dedicated team of skilled craftsmen, under expert technical guidance. The machine has a small foot print which lends itself for cellular manufacturing layout.

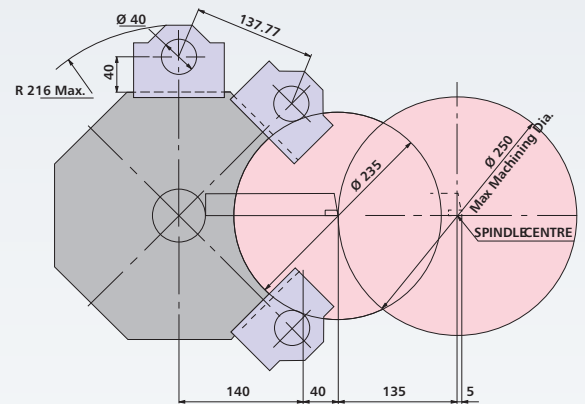
SPECIFICATIONS

Capacity		
Distance between centers	mm	300
Maximum turning dia.	mm	250
Maximum turning length	mm	300
Swing over bed	mm	450
Main spindle		
Spindle nose		A2-5
Bore through spindle	mm	47
Bar capacity	mm	25
Chuck size	mm	165
Front bearing bore	mm	80
Spindle drive		
Spindle motor rated power (Continuous / 15 min. rating)	kW	5.5 / 7.5
Speed range (inf. variable)	rpm	50 4000
Full power range	rpm	1000 3000
Axes slides		
X axis stroke	mm	130
Z axis stroke	mm	300
Feed rate (infinitely variable)	mm / min	0 10,000
Rapid traverse X / Z axes	m / min	20 / 20
Threading pitch(max.)	mm	32
Tailstock		
Quill diameter	mm	80
Quill stroke	mm	100
Taper in quill		MT4
Thrust adjustable max.	Kgf	500
Tailstock base travel	mm	135
Tooling		
Turret		BTP-80
No. of stations		8
Tool cross section	mm	25 x 25
Weight (approx)	kgs	3200
Dimensions (approx) LxWxH	mm	1830 x 1750 x 1750

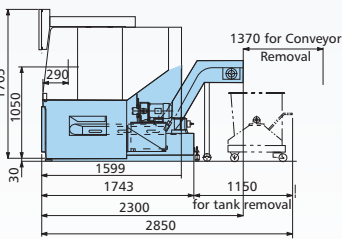
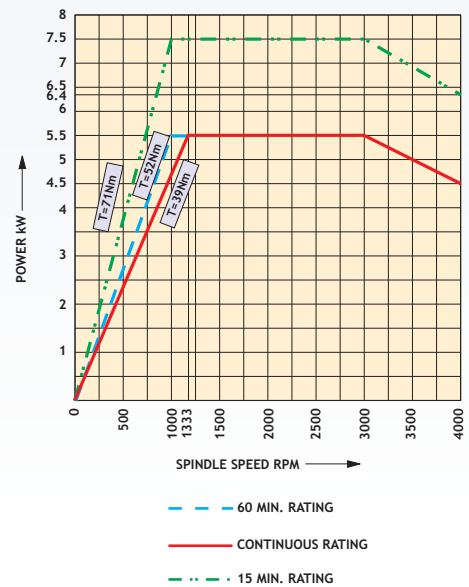
Machining Range



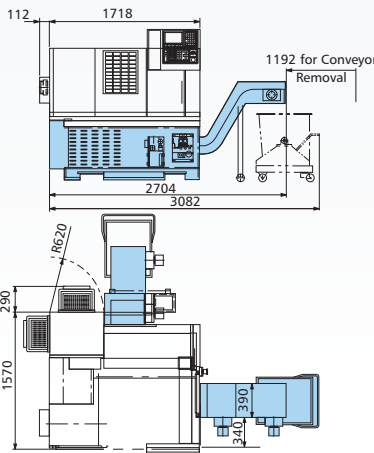
Interference Diagram



Power Torque Diagram



Overall View



ACE DESIGNERS LTD.

Plot No.7 & 8, II Phase, Peenya Industrial Area, Bangalore - 560 058

Tel : +91-80-2218 6700, Fax : +91-80-2218 6723, E-mail : acedesigners@acemicromatic.com

Website : <http://www.acedesigners.co.in>

Marketed and Serviced by : **Micromatic Machine Tools Pvt. Ltd.**

- **AURANGABAD** : Tel: 0240-2552309, Email: mmtaur@acemicromatic.com • **BANGALORE** : Tel: 080-40200555, Email: mmtblr@acemicromatic.com
- **CHENNAI** : Tel: 044-23740921, Email: mmtche@acemicromatic.com • **COIMBATORE** : Tel: 0422-4206183, Email: mmtcbe@acemicromatic.com
- **DELHI** : Tel: 011-22025846, Email: mmdel@acemicromatic.com • **KOLKATA** : Tel: 033-23648782, Email: mmtcal@acemicromatic.com
- **MUMBAI** : Tel: 022-26861976, Email: mmtbom@acemicromatic.com • **PUNE** : Tel: 020-27479661, Email: mmtpun@acemicromatic.com

Service Centers at : **BELGAUM** • **BOMMASANDRA** • **FARIDABAD** • **GURGAON** • **HYDERABAD** • **JAMSHEDPUR** • **KOLHAPUR** • **NASIK**
• **RAJKOT** • **RANIPET** • **THANE** • **TRICHY**

Visit us @ www.acemicromatic.net

• Total solutions • Total customer service
AceMicromatic
Group Company